



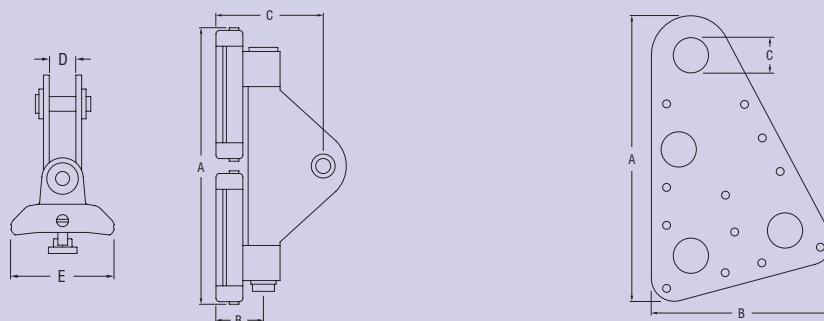
RC28161
RC28461

RC28160
RC28460

RC00010

FEATURES

- ▶ Patented system uses low profile cars running on twin races of Torklon® ball bearings.
- ▶ Ball bearings are captive for easy loading and unloading of cars from mast. Switch easily between fully battened and “soft luff” mainsails.
- ▶ Minimum distance from mast to mainsail luff enhances mainsail efficiency.
- ▶ Stainless steel ball joint links provide movement in all directions and up to 112 degrees either side of centre – also available to suit other common types of batten receptacle.
- ▶ Quick-Release batten receptacle links allow quick and easy removal of the mainsail for changeover, repair or stowage.
- ▶ Cars use the existing luff groove of the mast (no track or installation work required).



PRODUCT No.	DESCRIPTION	A		B		C		D		E		WEIGHT	
		mm	(in.)	mm	(in.)	mm	(in.)	mm	(in.)	mm	(in.)	g	(oz)
RC00010	Headboard plates (pair)	188	(7 13/32)	119	(4 11/16)	23	(29/32)	-	-	-	-	173	(6.1)
RC28160	Headboard car	214	(8 7/16)	30	(1 3/16)	75	(2 15/16)	16.5	(21/32)	51	(2)	520	(18.3)
RC28161	Headboard car	290	(11 7/16)	30	(1 3/16)	75	(2 15/16)	16.5	(21/32)	51	(2)	750	(26.5)
RC28460	Headboard car	214	(8 7/16)	30	(1 3/16)	75	(2 15/16)	16.5	(21/32)	51	(2)	520	(18.3)
RC28461	Headboard car	290	(11 7/16)	30	(1 3/16)	75	(2 15/16)	16.5	(21/32)	51	(2)	750	(26.5)